

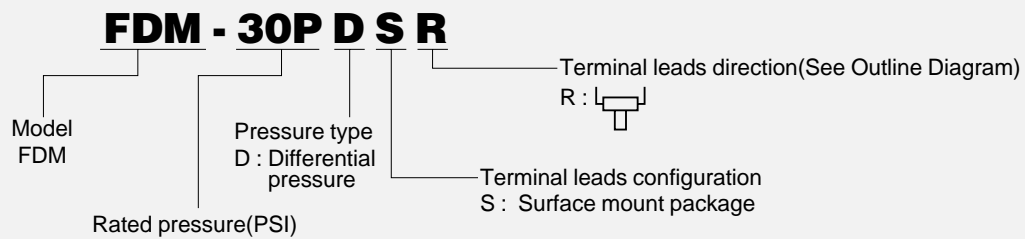
Features

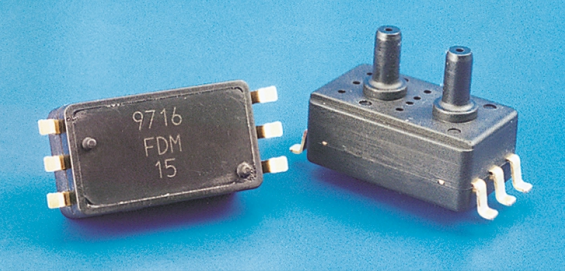
- Very small surface mountable package, Easy to mount on PCB
- High accuracy, High reliability

Applications

- Industrial instrumentation
- Pressure switch, Pneumatic device
- Medical device

Part number for ordering



Pressure type	Differential pressure FDN
Model	
Package configuration	Surface mount package

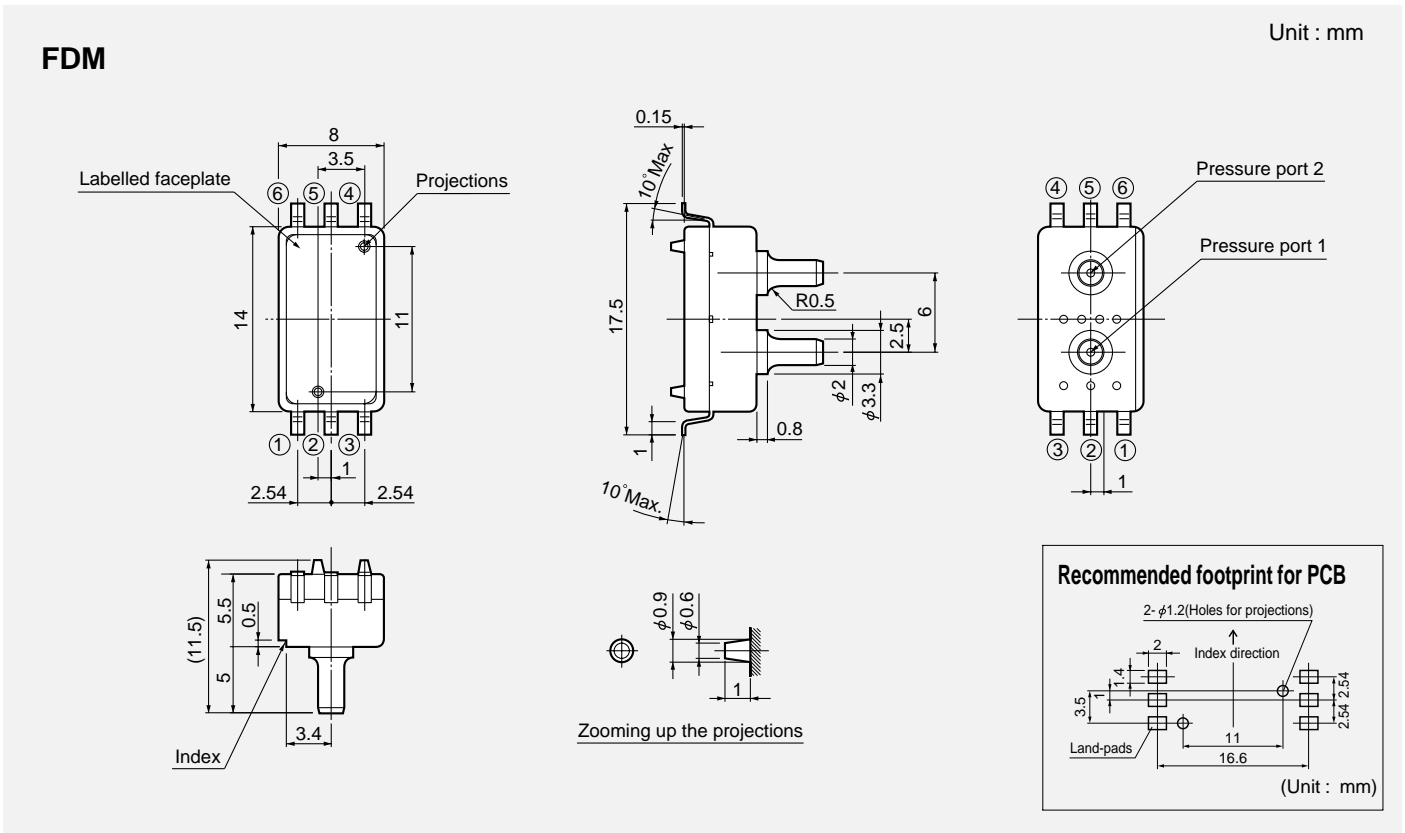
Measurable pressure range(kPa)	Part number for ordering
-13.79~13.79	FDM-02PDSR
-34.47~34.47	FDM-05PDSR
-48.26~48.26	FDM-07PDSR
-103.4~103.4	FDM-15PDSR
-206.8~206.8	FDM-30PDSR
-344.7~344.7	FDM-50PDSR
-482.6~482.6	FDM-70PDSR
-827.4~827.4	FDM-120PDSR

Specifications

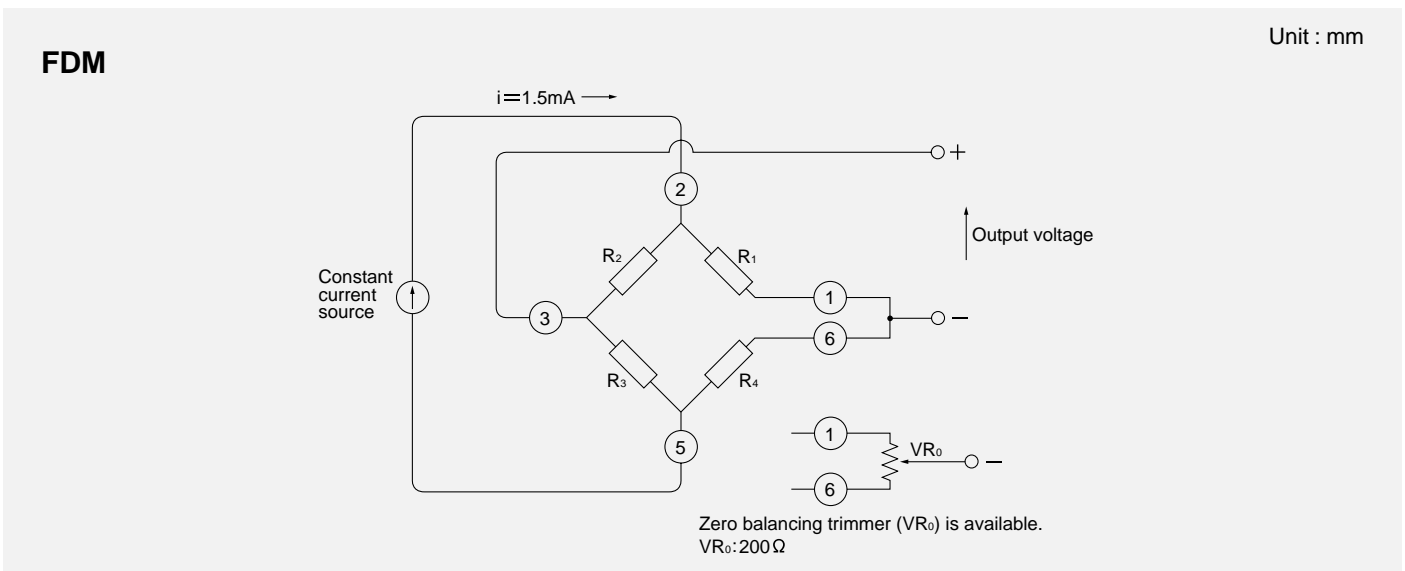
Model/Rated pressure	02PD	05PD	07PD	15PD	30PD	50PD	70PD	120PD	Unit
Recommended operating conditions									
Pressure type	Differential pressure								—
Rated pressure	13.79	34.47	48.26	103.4	206.8	344.7	482.6	827.4	kPa
	0.141	0.352	0.492	1.055	2.109	3.516	4.922	8.437	kg/cm ²
Measurable pressure range	-13.79 ~13.79	-34.47 ~34.47	-48.26 ~48.26	-103.4 ~103.4	-206.8 ~206.8	-344.7 ~344.7	-482.6 ~482.6	-827.4 ~827.4	kPa
Pressure media	Non-corrosive gas								—
Excitation current(Constant)	1.5								mADC
Absolute maximum rating									
Maximum load pressure	Twice of rated pressure							1.5times of rated pressure	—
Maximum excitation current	3								mADC
Operating temperature	-20~100								°C
Storage temperature	-40~120								°C
Operating humidity	30~80(No dew condensation)								%RH
Electric performances/characteristics(Excitation current I=1.5mA constant, Ambient temperature Ta=25 °C)									
Full scale span voltage	60~140 ※								mV
Offset voltage	±20								mV
Bridge impedance	4000~6000								Ω
Mechanical response time	2(For the reference)								msec
Accuracy	Temperature sensitivity of offset(TSO)	±5							%FS/0~50 °C
	Temperature coefficient of sensitivity(TCS)	2.5							%FS/0~50 °C
	Linearity	±0.5			±0.3		±0.5	±0.6	%FS
	Pressure hysteresis	±0.4			±0.2		±0.4		%FS

Output refers to pressure at pressure port 2.

■ Outline dimensions ■



■ Connection diagram ■



Note ; Please read instruction "Notes" before using the sensor.
 Fujikura reserves the right to change specifications without notice.

Fujikura Ltd.

If you have any questions regarding technical issues or specifications, please contact us.
 Sensor Engineering Department 5-1 Kiba 1-chome, Koto-ku, Tokyo 135-8512, Japan
 Phone +81-(0)3-5606-1072 Fax. +81-(0)3-5606-1538
 E-mail : sensor@fujikura.co.jp